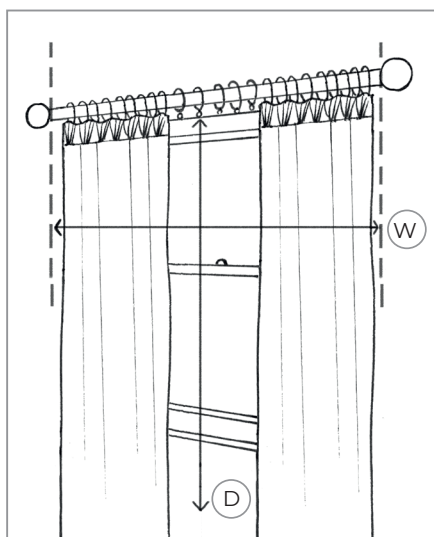


# How to measure for ready made curtains

**Please note:** Loom & Last does not provide an alteration service for our ready made curtains but they can be easily altered by most dry cleaners if you need to reduce the drop (length).  
**Our ready made curtains are sold in pairs.**

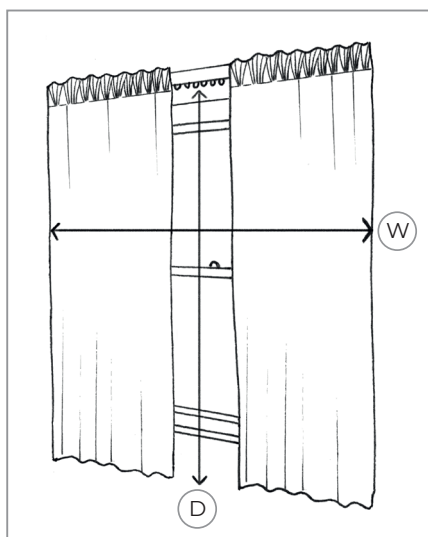
## 1 Get Measuring!



**Pole**

W Width of the pole between finials

D Drop from top to bottom of curtain



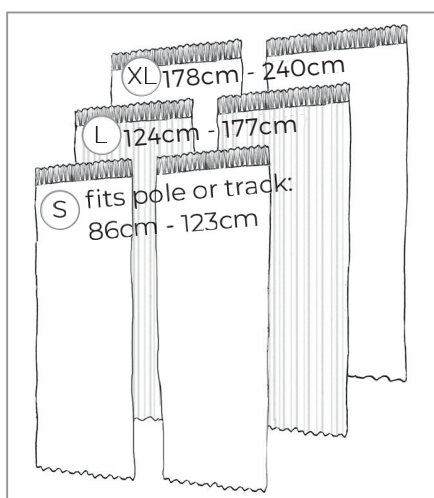
**Track**

W Width of the entire track

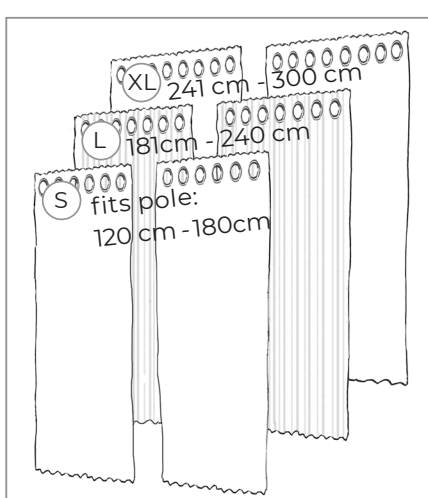
D Drop from top to bottom of curtain

## 2 Choosing your curtain width

There are three widths available, Standard, Large and Extra-Large for pencil pleat and eyelet ready made curtains. Measure your pole or track width and select the most suitable size below.



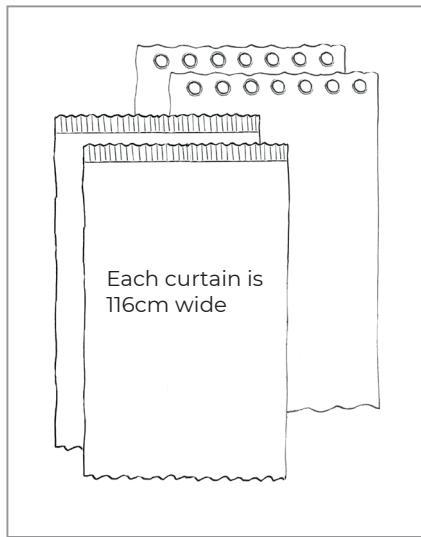
Pencil pleat heading on pole or track



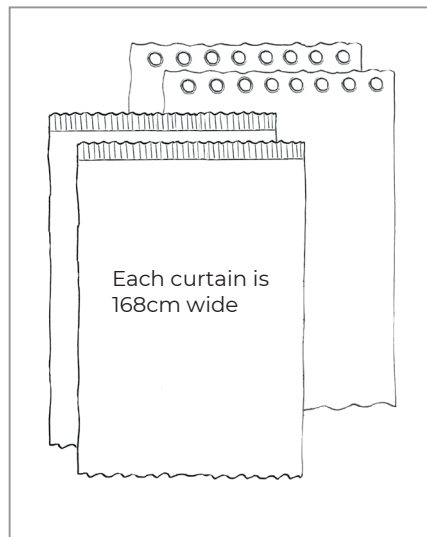
Eyelet heading on pole

# What will I receive?

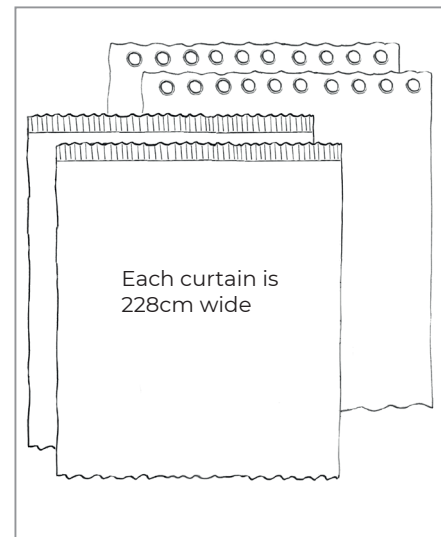
You will receive 2 curtains (a pair), each measuring the width shown below  
(The widths shown below are for **each** curtain in your pair before they are gathered to your desired width).



**Standard**



**Large**



**Extra Large**

Order online or call 01394 775670